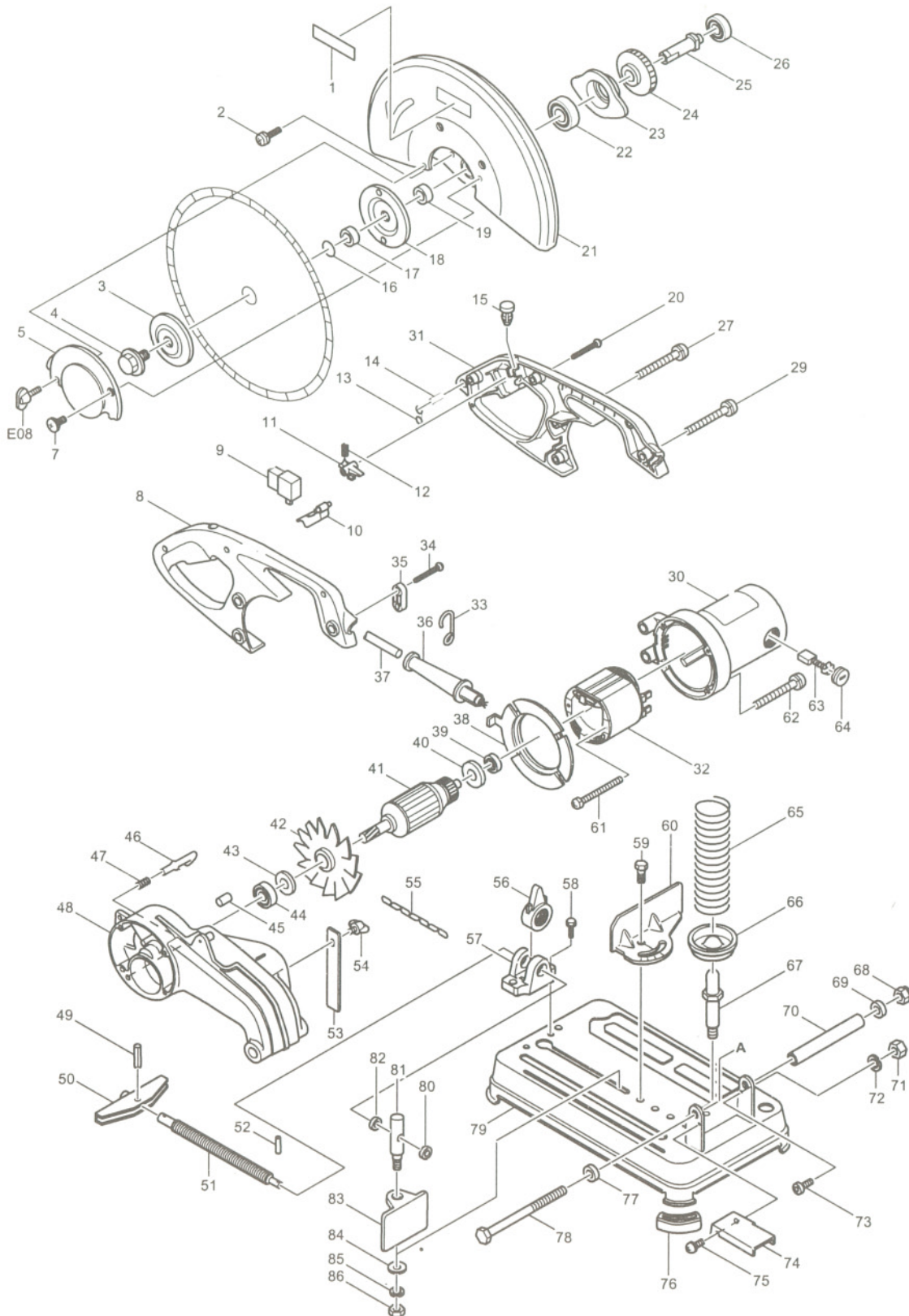
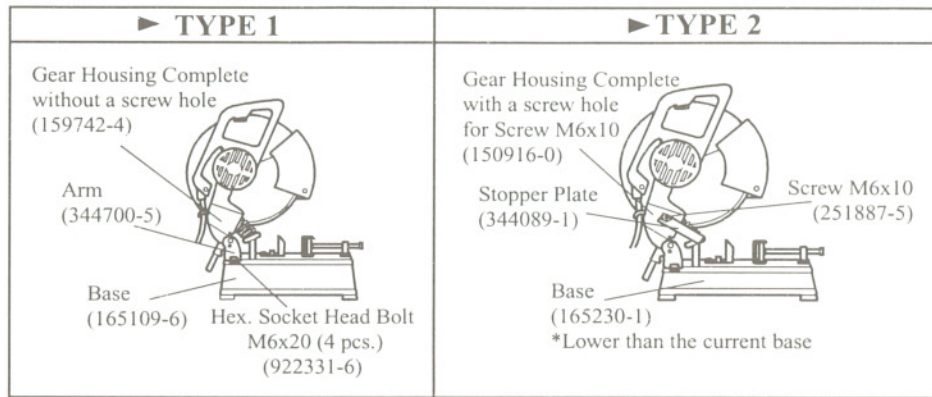



14" (355MM) PORTABLE CUT-OFF
MODEL 2414NB


Item No.	Part No.	Qty. Used	Description	Item No.	Part No.	Qty. Used	Description
1	819064-1	1	MAKITA MARK	54	*	1	SCREW M6X10
2	911333-7	4	PAN HEAD SCREW M6X20	55	282010-1	1	CHAIN
3	224300-6	1	OUTER FLANGE 90	56	322209-7	1	VICE NUT
4	251680-7	1	HEX. BOLT M10X25	57	311949-2	1	SCREW GUIDE
5	150515-8	1	SAFETY GUIDE COMPLETE	58	911451-1	2	PAN HEAD SCREW M8X30
7	265020-3	1	+ FLAT HEAD SCREW M6	59	265201-9	2	HEX. BOLT M10X25
8	182628-7	1	HANDLE SET (INC. 31)	60	344087-5	1	GUIDE PLATE
9	651922-3	1	SWITCH TG71B SINGLE W/O LOCK	61	266059-9	2	TAPPING SCREW 5X75
10	152463-7	1	SWITCH LEVER COMPLETE	62	911273-9	4	PAN HEAD SCREW M5X50
11	415366-9	1	SWITCH LOCK	63	191953-5	1	CARBON BRUSH CB-203 2PCS/SET
12	231397-8	1	COMPRESSION SPRING 4	64	643700-5	2	BRUSH HOLDER CAP 7-18
13	281207-9	1	HANGER	65	233085-3	1	COMPRESSION SPRING 45
14	256012-3	1	PIN 6	66	165066-8	1	SPRING HOLDER
15	411478-6	1	SWITCH BUTTON	67	265407-9	1	HEX.BOLT M10
16	213162-7	1	O RING 14	68	252130-5	1	HEX. LOCK NUT M10-17
17	257185-5	1	RING 17	69	267713-8	1	CUP WASHER 10
18	224299-5	1	INNER FLANGE 90	70	331428-4	1	PIPE 16-113
19	257185-5	1	RING 17	71	931302-2	1	HEX. NUT M6
20	265995-6	4	TAPPING SCREW 4X18	72	942151-2	1	SPRING WASHER 6
21	165126-6	1	SAFETY COVER	73	922312-0	1	HEX. SOCKET HEAD BOLT M6X12
22	211256-2	1	BALL BEARING 6203LLB	74	344712-8	1	SPARK GUARD
23	316527-3	1	BEARING BOX	75	911308-6	1	PAN HEAD SCREW M6X10
24	226415-5	1	HELICAL GEAR 41	76	421487-7	4	CUSHION
25	322633-4	1	SPINDLE	77	267713-8	1	CUP WASHER 10
26	211064-1	1	BALL BEARING 6000	78	265406-1	1	HEX. BOLT M10X130
27	911273-9	2	PAN HEAD SCREW M5X50	79	*	1	BASE
29	911258-5	1	PAN HEAD SCREW M5X35	80	253731-2	1	FLAT WASHER 8
30	159750-5	1	MOTOR HOUSING CPL. (INC. 1 EA. SUPPORT UNITt 632486-6, 2 EA. BRUSH HOLDER 643705-5)	81	321680-2	1	SCREW M8
31	182628-7	1	HANDLE SET (INC. 8)	82	253731-2	1	FLAT WASHER 8
32	636006-8	1	FIELD 115V	83	342679-4	1	WISE PLATE
33	322049-3	1	HOOK	84	253752-4	1	FLAT WASHER 8
34	265995-6	2	TAPPING SCREW 4X18	85	942201-3	1	SPRING WASHER 8
35	687052-4	1	STRAIN RELIEF	86	931402-8	1	HEX. NUT M8
36	682505-8	1	CORD GUARD 10-90	E02	416771-3	2	PLUG
37	664463-0	1	POWER SUPPLY CORD AWG#14-2-2.5 SJ	E08	411478-6	2	SWITCH BUTTON
38	415369-3	1	BAFFLE PLATE	ACCESSORIES			
39	210053-3	1	BALL BEARING 629LLB	A01	782210-8	1	SOCKET WRENCH 17
40	681633-6	1	INSULATION WASHER	F01	724603-3	1	CUT-OFF WHEEL 14" (5PCS/SET)
41	516561-5	1	ARMATURE ASS'Y 115V (Inc. 39,40,42-44)				
42	241515-0	1	FAN 92				
43	267714-6	1	WASHER 15				
44	211228-7	1	BALL BEARING 6202DDW				
45	263005-3	1	RUBBER PIN 6				
46	322665-1	1	STOPPER				
47	231240-1	1	COMPRESSION SPRING 7				
48	*	1	GEAR HOUSING COMPLETE (INC. 45)				
49	951163-4	1	SPRING PIN 5-20				
50	272021-4	1	HANDLE 120				
51	322239-8	1	VICE SCREW				
52	951066-2	1	SPRING PIN 3-18				
53	*	1	STOPPER PLATE				

SERVICE CHANGE

1. Addition of Stopper Plate and Modification of Base



Interchangeability(I/C)

Item No.	TYPE 1	Q'ty	I/C	TYPE 2	Q'ty	Note
048	Gear Housing Complete 159742-4 (Discontinued)	1	←	Gear Housing Complete 150916-0	1	Interchangeable as a set
079	Base 165109-6 (Discontinued)	1	No	Base 165230-1	1	
088	Arm 344700-5 (Discontinued)	1				
089	Hex. Socket Head Bolt M6x20 922331-6	4				
053				Stopper Plate 344089-1	1	
054				Screw M6x10 251887-5	1	